

Shock-Safe Fuseholder, 5 x 20 mm, Slot/Fingergrip, horizontal, IEC 60335-1



Fingergrip

250 VAC · 2.5 W/10 A (VDE) · 16 A (UL/CSA)

**Description**

- Meets the new requirements of IEC 60335-1 Ed. 4.0 for appliances in unattended use (clause 30.2.3). This includes the enhanced requirements of glow wire tests acc. to IEC 60695-2-11 to -13. Order numbers: xxxx.xxxx.15
- Horizontal style

Standards

- IEC 60127-6
- UL 512
- CSA C22.2 no. 39

Approvals

- VDE License Number: 129098
- UL File Number: E39328

Applications

- Industrial electronic
- Household appliances
- Medical equipments


References

[General Product Information](#)

Weblinks

[Approvals](#), [RoHS](#), [CHINA-RoHS](#), [e-Store](#), [SCHURTER-Stock-Check](#), [Distributor-Stock-Check](#)

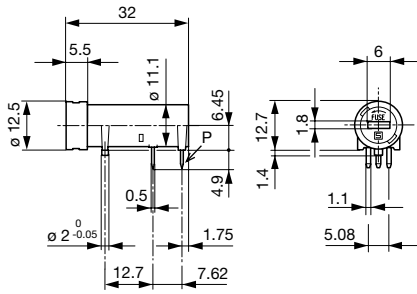
Technical Data

| | |
|------------------------------|--|
| Shocksafe Category | PC2 |
| Fuse-Link | 5 x 20 mm |
| Mounting | PCB |
| Terminal | Solder THT |
| Rated Voltage | 250 VAC |
| Rated Current | 10 A (VDE), 16 A (UL/CSA) |
| Rated Power Acceptance IEC | 2.5 W / 10 A @ Ta 23 °C Admissible power acceptance at higher ambient temperature see derating curves |
| Degree of Protection | IP 40 |
| Protection Class | Suitable for appliances with protection class I or II acc. to IEC 61140 |
| Admissible Ambient Air Temp. | -40 °C to 85 °C |
| Climatic Category | 40/085/21 acc. to IEC 60068-1 |
| Material: Socket | Thermoplastic, black, UL 94V-0 |
| Material: Terminals | Tin-Plated Copper Alloy |
| Unit Weight (Socket/Cap) | 4.31 g |
| Storage Conditions | 0 °C to 60 °C, max. 70% r.h. |
| Product Marking |  , Type, Voltage Rating, Power Acc./Current Rating, Approvals |

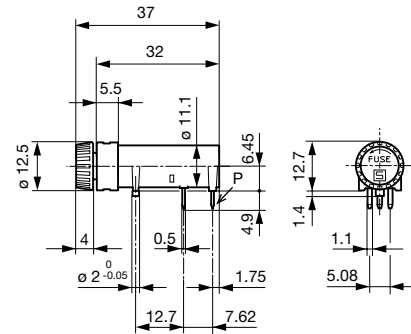
| | |
|------------------------------|--|
| Soldering Methods | Wave |
| Solderability | 235 °C / 2 sec acc. to IEC 60068-2-20, Test Ta, method 1 |
| Resistance to Soldering Heat | 260 °C / 10 sec acc. to IEC 60068-2-20, Test Tb, method 1A |
| Contact Resistance | < 5 mΩ at 20 mV |
| Dielectric Strength | > 3 kV between L-N (50 Hz; 1 min) |
| Impulse Withstand Voltage | > 4 kV between L-N |
| Insulation Resistance | > 10 MΩ between L-N (500 VDC; 1 min) |
| Overvoltage Category | I - III acc. to IEC 60664-1 |
| Pollution Degree | 1 - 3 acc. to IEC 60664-1 |
| Resistance to Vibration | acc. to IEC 60068-2-6, test Fc |

Dimensions

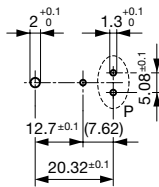
Length |-----| 32 mm



Variant 3101.0050

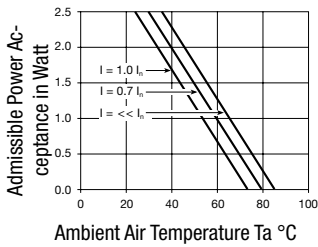


Variant Fingerrip 3101.0055



Drilling diagram

Derating Curves for Fuseholders



Variants

[Distributor-Stock-Check](#) | [SCHURTER-Stock-Check](#) | [e-Store](#)

| Holder | Cap | Terminal | Material | Remark | Order Number |
|--------|-----------|----------|-----------------------|-------------------|--------------|
| ● | Slot Knob | Straight | Thermoplastic | - | 3101.0050 |
| ● | Slot Knob | Straight | Spec. Thermoplastic 1 | Approvals pending | 3101.0050.15 |
| ● | Fingerrip | Straight | Thermoplastic | - | 3101.0055 |
| ● | Fingerrip | Straight | Spec. Thermoplastic 1 | Approvals pending | 3101.0055.15 |

Spec. thermoplastic 1 and 2 meet the new requirements of IEC 60335-1 Ed. 4.0 for appliances in unattended use (clause 30.2.3). This includes the enhanced requirements of glow wire tests acc. to IEC 60695-2-11 to -13.

White and grey colours available on request

Packaging Unit

Bulk 186 x 91 x 91 mm (100 pcs.)